

SpringREEL

TLF Series



INDUSTRY APPLICATIONS



STEMMANN-TECHNIK

QUALITY MADE IN GERMANY

SpringREEL TLF Series

Spring-driven cable reels, standard series

The standard cable reel series "TLF" covers a large spectrum of applications and requirements.

The range is divided in seven standard types depending on the winding capacity. The cable reels can be used for practically every application, indoors as well as outdoors.



Safety and reliability are our main focus, for this reason all cable reels comply with the most recent EU regulations (CE marking). Furthermore all cable reels have been constructed of high quality components and are subject to stringent quality demands.

**7 standard types
for diverse indoors and
outdoors applications**

**High quality springs for
up to 100,000 load cycles**

Modular slip rings

**Includes mounting flange
for safe and easy assembly**

Special designs on request



The series TLF-cable reels can be finished with a polyester powder coating, for optimal protection against corrosion.

Springs

For optimal performance and long lifetime the springs are made of high-grade special steel. They are mounted into a metal housing to prevent friction and wear. The special construction of the cable reel shaft ensures quick and easy replacement of the springs. Life expectancy is 100.000 load cycles.

Slip rings

The modular slip ring assembly is designed to accommodate extensive combinations. The possibility exists to i.e. combine feed- and control signals. Transmission of data- and video signals is possible as well. For optimal reliability we use our bako slip rings with silver or gold plated collector rings. The body is covered by a glass-fibre reinforced synthetic housing with ventilation valve. The housing is weather resistant and corrosion proof and the glands and seals are water tight. Protection class in accordance with standard IP65/66.

Design

The housings of our standard TLF types are made of hot-dip galvanized steel. Optionally we offer stainless steel versions - if necessary with corrosion-resistant polyester powder coating. Upon request external fitted bolts and nuts can be supplied in stainless steel and all other structural parts can be supplied hot dip galvanized or with a polyester coating. The galvanized mounting flange offers a secure fitting of the reel to any construction.



Stainless steel special design

IMPORTANT MOUNTING DIRECTIONS

The reel should be mounted with the main shaft level and center of the spool width in-line with the cable termination. This allows the cable to unwind and rewind without coming in contact with e. g. frame constructions.

The reel needs a number of pre-tensioning turns to properly load the spring, so that, when the cable is wound, there is still a small tension: the pre-tension.

The adjustment of this pre-tension is premise for maximum spring life. The number of pre-tensioning turns depends on the cable to be winded.



The slip ring assembly accommodates extensive variations and ensures reliability due to the large carbon brushes and the synthetic housing. The material used is weather tight (corrosion resistant).

Protection degree IP 65 / IP 66.

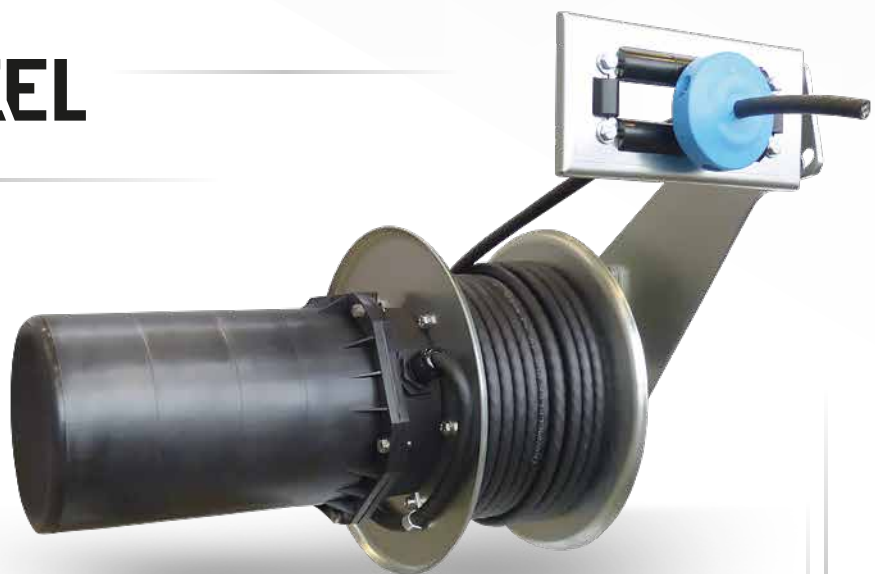
Capacity of slip rings from 10 A at 24 V up to max. 200 A at 660 V (depending on reel type)

TLF series types

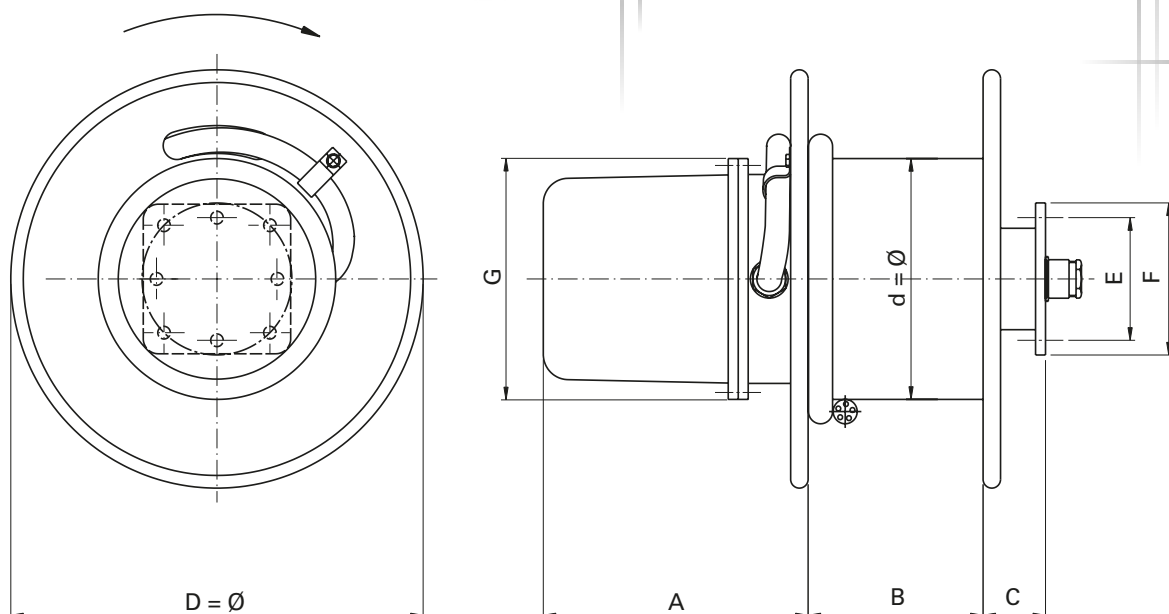
Type	A	B	C	d \emptyset	D \emptyset	E \emptyset	F	G \emptyset	Weight
123	depending on slip ring	40/80*	40	123	180/240*	98	120	110	4 kg - 6 kg*
190		110/140*	46	190	290/330/360*	100/125*	120	200	11 kg - 19 kg*
280		140/180*	46	280	360/430/460/500/550*	100/125*	120	200	20 kg - 40 kg*
300		140/180*	46	300	360/430/460/500/550*	100/125*	120	200/310*	20 kg - 40 kg*
400		210/280/340*	56	400	560/630/710/800/900*	140/180*	140	200/310*	56 kg - 94 kg*
500		210/280/340*	58	500	630/710/800/900/1000*	140/180*	170	200/310*	80 kg - 150 kg*
600		210/280/340*	58	600	800/900/1000*	140/180*	170	200/310*	80 kg - 160 kg*

* depending on reel type

SpringREEL



Winding on direction
with view on the slip ring





Corporate headquarters and manufacturing facility
Schüttorf, Germany

We are one of the world's leading manufacturers of energy and data transfer components and systems in industrial and transport technology.

Drawing on our 100 years of engineering and practical research, we manufacture high quality products required all over the world, and create special, innovative, customised solutions.

A fundamental key to our success is our understanding of the importance of high quality in all areas of the company, ranging from customer-oriented advice to long-term service.

We guarantee high quality by upholding international standards and guidelines.

Since 2014 we belong to the Wabtec Corporation, a global provider of technologies, products and services in the field of railway and industrial engineering.

Through the integration of Faiveley Transport to the Wabtec Corporation in 2016 we are an important part of one of the largest public rail equipment companies in the world with more than 20,000 employees around the globe.

With know-how, product diversity and forward-looking innovations we are your excellent choice in the field of industrial and transit technology.

STEMMANN-TECHNIK
DIN EN ISO 9001:2008

TRANSIT APPLICATIONS



ROOF-MOUNTED PANTOGRAPHS



3rd RAIL CURRENT COLLECTORS



frost® GROUND CONTACTS



STINGER SYSTEMS

INDUSTRY APPLICATIONS



CABLE REELS



SLIP RING ASSEMBLIES



FESTOON SYSTEMS



CONDUCTOR LINES

CHARGING SOLUTIONS



ChargingPANTO



ChargingREEL



ChargingSTINGER



FerryCHARGER

ONSHORE POWER SUPPLY



FOR CRUISE SHIPS



FOR CONTAINER VESSELS

