

# SpringREEL

## TLF Compact



INDUSTRY APPLICATIONS



**STEMMANN-TECHNIK**

QUALITY MADE IN GERMANY

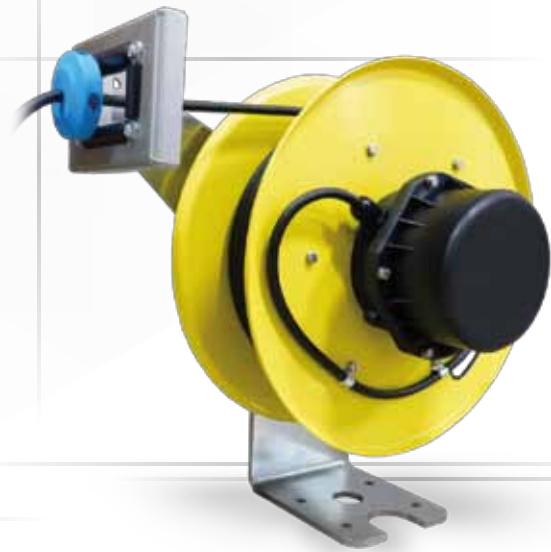
---

# SpringREEL TLF Compact

## Compact spring-driven cable reels

The cable reel serie "TLF Compact" covers a large spectrum of applications and requirements.

The cable reels can be used for practically every application, indoors as well as outdoors.



Safety and reliability are our main focus, for this reason all cable reels comply with the most recent EU regulations (CE marking). Furthermore all cable reels have been constructed of high quality components and are subject to stringent quality demands.

**TLF Compact for  
diverse indoors and  
outdoors applications**

**High quality springs for  
up to 100,000 load cycles**

**Modular slip rings**

**Includes mounting flange  
for safe and easy assembly**

**Special designs on request**



For optimal protection against corrosion the TLF Compact cable reels are finished with a polyester powder coating.

## Springs

For optimal performance and long lifetime the springs are made of high-grade special steel. They are mounted into a metal housing to prevent friction and wear. The special construction of the cable reel shaft ensures quick and easy replacement of the springs. Life expectancy is 100.000 load cycles.

## Slip rings

The modular slip ring assembly is designed to accommodate extensive combinations. The slip ring is covered by a glass-fibre reinforced synthetic housing with ventilation valve. The housing is weather resistant and corrosion proof and the glands and seals are water tight. Protection class in accordance with standard IP65/66.

## Design

The housings of our TLF Compact types are made of hot-dip galvanized steel incl. corrosion-resistant polyester powder coating.

The galvanised mounting flange offers a secure fitting of the reel to any construction.



### IMPORTANT MOUNTING DIRECTIONS

The reel should be mounted with the main shaft level and center of the spool width in-line with the cable termination. This allows the cable to unwind and rewind without coming in contact with e. g. frame constructions.

The reel needs a number of pre-tensioning turns to properly load the spring, so that, when the cable is wound, there is still a small tension: the pre-tension.

The adjustment of this pre-tension is premise for maximum spring life. The number of pre-tensioning turns depends on the cable to be wound.



The slip ring assembly accommodates extensive variations and ensures reliability due to the large carbon brushes and the synthetic housing. The material used is weather tight (corrosion resistant).

Protection degree IP 65 / IP 66.

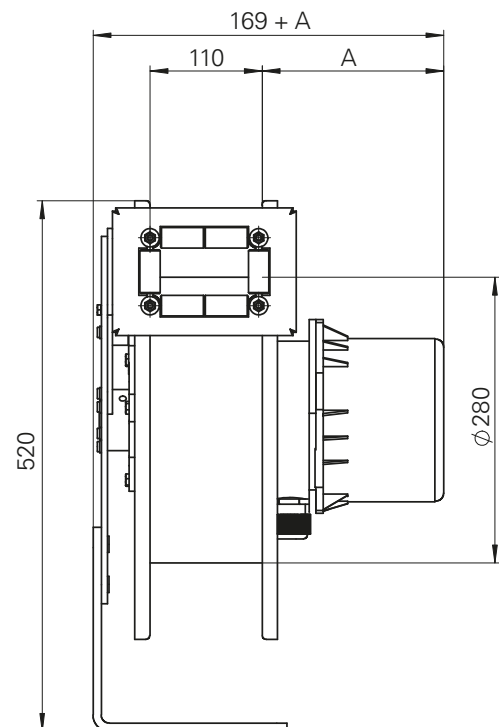
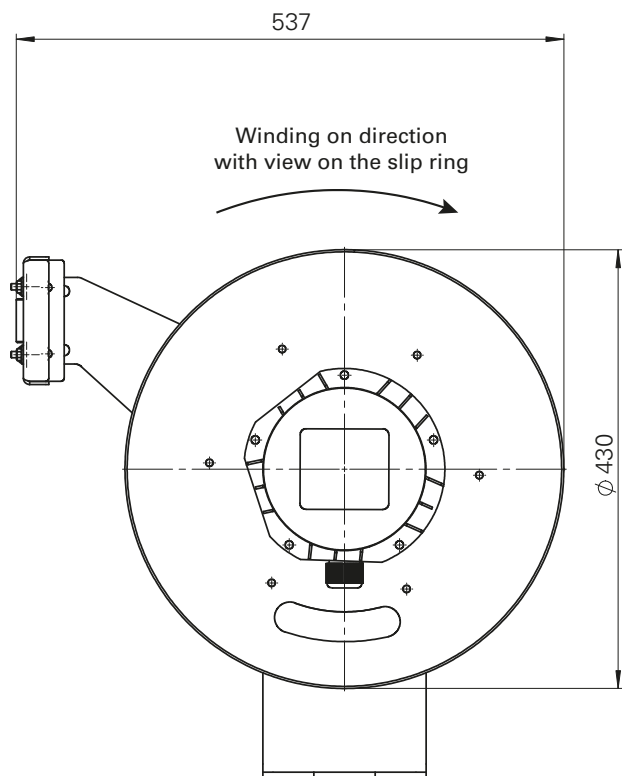
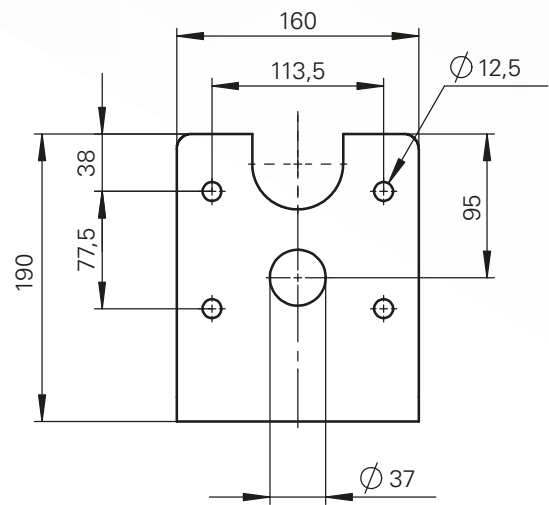
Capacity of slip rings from  
25 A at 500 V up to max. 50 A at 500 V

## TLF Compact

Type		A	d $\varnothing$	Slip ring	Pole
28431110DB	2604	125 mm	430 mm	25 A / 500 V	PE + 3 Poles
	2605	175 mm	430 mm	25 A / 500 V	PE + 4 Poles
	2607	175 mm	430 mm	25 A / 500 V	PE + 6 Poles
	2612	235 mm	430 mm	25 A / 500 V	PE + 11 Poles
28431110DB	5103	125 mm	430 mm	50 A / 500 V	PE + 2 Poles
	5104	175 mm	430 mm	50 A / 500 V	PE + 3 Poles
	5105	175 mm	430 mm	50 A / 500 V	PE + 4 Poles

# SpringREEL

TLF Compact





Corporate headquarters and manufacturing facility  
Schüttorf, Germany

We are one of the world's leading manufacturers of energy and data transfer components and systems in industrial and transport technology.

Drawing on our 100 years of engineering and practical research, we manufacture high quality products required all over the world, and create special, innovative, customised solutions.

A fundamental key to our success is our understanding of the importance of high quality in all areas of the company, ranging from customer-oriented advice to long-term service.

We guarantee high quality by upholding international standards and guidelines.

Since 2014 we belong to the Wabtec Corporation, a global provider of technologies, products and services in the field of railway and industrial engineering.

Through the integration of Faiveley Transport to the Wabtec Corporation in 2016 we are an important part of one of the largest public rail equipment companies in the world with more than 20,000 employees around the globe.

With know-how, product diversity and forward-looking innovations we are your excellent choice in the field of industrial and transit technology.

STEMMANN-TECHNIK  
DIN EN ISO 9001:2008

## TRANSIT APPLICATIONS



ROOF-MOUNTED PANTOGRAPHS



3rd RAIL CURRENT COLLECTORS



frost® GROUND CONTACTS



STINGER SYSTEMS

## INDUSTRY APPLICATIONS



CABLE REELS



SLIP RING ASSEMBLIES



FESTOON SYSTEMS



CONDUCTOR LINES

## CHARGING SOLUTIONS



ChargingPANTO



ChargingREEL



ChargingSTINGER



FerryCHARGER

## ONSHORE POWER SUPPLY



FOR CRUISE SHIPS



FOR CONTAINER VESSELS

